

Solid carbide twist drill (single diameter – with four additional guide chamfers)

Please copy, complete and return (only 1 tool per enquiry questionnaire/order).



Enquiry Order

Company		Customer number (if available)
Contact partner	Tel./Fax	E-Mail
Address		

MAPAL Inc.
4032 Dove Road
48060 Port Huron MI
USA
Phone +1 / 8 10 / 3 64 80 20
Fax +1 / 8 10 / 3 64 47 50
info@us.mapal.com
www.mapal.us

Number of drills _____ Delivery date required (non-binding) _____ Week

Please describe your machining task for us and the special tool you require:

Type of machining:

Bore: Through hole Blind bore

Machining method: wet dry min.lubrication

Coolant supply: Ext. Int.

Material to be machined:

<input type="checkbox"/> Unalloyed steel	<input type="checkbox"/> Aluminium (Si content > 10 %)
<input type="checkbox"/> Cast steel	<input type="checkbox"/> Aluminium (Si content < 10 %)
<input type="checkbox"/> Alloyed steel	<input type="checkbox"/> Copper
<input type="checkbox"/> Inox	<input type="checkbox"/> Brass
<input type="checkbox"/> Stainless/acid-resistant steel	<input type="checkbox"/> Bronze
<input type="checkbox"/> Grey cast iron	<input type="checkbox"/> Titanium alloys
<input type="checkbox"/> Alloyed grey cast iron	<input type="checkbox"/> Nickel alloys
<input type="checkbox"/> Nodular iron	<input type="checkbox"/> Chilled cast iron
<input type="checkbox"/> CGI	<input type="checkbox"/> Hardened steel
<input type="checkbox"/> Malleable iron	<input type="checkbox"/> _____

Hardness (HRC, HB, etc.): _____ Tensile strength (N/mm²): _____ Standard: _____ Standard No.: _____

MAPAL code (e.g. M2175, if known): _____

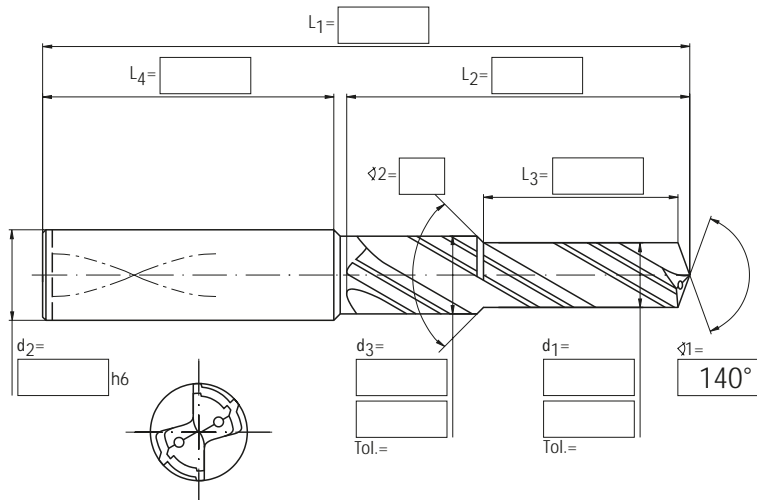
Cutting direction: R.H. L.H.
(if not stated we will assume R.H.)

Coating:
(if you wish to choose yourself)

- MxF
- MxH
- TiAlN
- uncoated
- _____

Shank form:

- HA (DIN 6535)
- HB (DIN 6535)
- HE (DIN 6535)



Date _____ Signature _____

Please do not write in this box, which will be completed by MAPAL specialists.

Groove form: <input type="checkbox"/> MEGA	Coating: <input type="checkbox"/> MxF	Radial land on face: <input type="checkbox"/> Radial land on taper surface
<input type="checkbox"/> GG	<input type="checkbox"/> MxH	<input type="checkbox"/> Radial land on 4 faces
<input type="checkbox"/> ALU	<input type="checkbox"/> TiAlN	
<input type="checkbox"/> INOX	<input type="checkbox"/> uncoated	<input type="checkbox"/> Round point
<input type="checkbox"/> _____	<input type="checkbox"/> _____	<input type="checkbox"/> Spiral point

Blank (MC): _____